

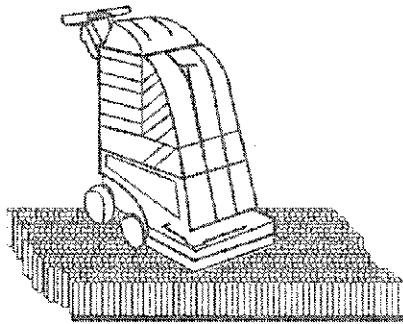


CCD-148, Carpet and Upholstery care products

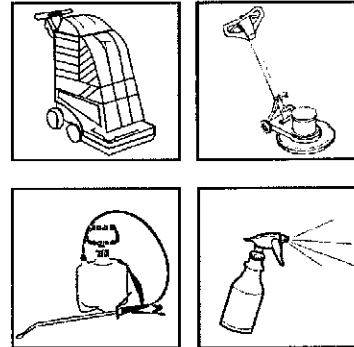
Ecolution™ CARPET CLEANER



Key application areas:



Application equipment:



Versatile

Ecolution Carpet Cleaner can be used three different ways, for carpet extracting, bonnet cleaning and spot cleaning. The only thing that changes is the dilution of the product. This unique feature of Ecolution Carpet Cleaner helps to control inventory costs.

For proper dilution for carpet extracting, spot cleaning and bonnet cleaning, Ecolution Carpet Cleaner can be dispensed through a One Solution system.

Encapsulating Power

After the initial cleaning, using Ecolution Carpet Cleaner, the second wave of cleaning takes place. It utilizes encapsulating polymers that dry to brittle crystals. This allows for easy removal of any dirt left behind through vacuuming and also prevents rapid resoiling so your carpet is cleaner longer. Encapsulation technology also shortens the dry time after carpet cleaning.

Highly Concentrated

Ecolution Carpet Cleaner is highly concentrated to help achieve cost savings by using less product. And, by using it through a One Solution dilution system, it guarantees the proper mixture every time with no overuse of the product.

Certification

Ecolution Neutral Floor Cleaner is EcoLogo Certified, CCD-148, Carpet and Upholstery Care Products.



Printed on recycled paper with soy-based ink.



EXTRACT OR BONNET CARPETS WITH  PRODUCT



CCD-148, Carpet and
Upholstery care products

Evolution™ CARPET CLEANER



DIRECTIONS FOR USE

1. Vacuum area to be cleaned thoroughly.
2. Dilute carpet cleaner with cold tap water as directed below.
3. Follow cleaning machine's operating instructions.
4. Once carpet has dried, vacuum thoroughly to remove remaining cleaning residue to prevent re-soiling.
5. Open the area to traffic.

Dilutions:

Extraction Cleaning: 4oz/gallon

Bonnet Cleaning: 10oz/gallon

Pre-Spray: 8oz/quart trigger sprayer

Note: Test in an inconspicuous area of carpet before using. Place aluminum foil under legs of furniture while carpet is drying to prevent rust spots.

TECHNICAL DATA

APPEARANCE: Milky white liquid

ODOR: Pleasant

DENSITY: 8.62 lbs/gallon

BIODEGRADABILITY: contains readily biodegradable ingredients

VOC CONTENT: 0%

pH: 8.4 +/- 0.5

FLASH POINT: >212°F

FREEZE/THAW STABILITY: Excellent

RESOILING: Contains encapsulating polymer to prevent resoiling

COLOR FASTNESS: Safe on colorfast dyes

STAIN RESISTANT TREATMENT: Safe for use on stain resistant treatment



Stock #121554
Case/4x3 Liters
Stock # 121555

State Industrial Products • 3100 Hamilton Ave. • Cleveland, OH 44114 • To order call: 1-866-747-2229 • www.stateindustrial.com
Part # 121760 80N11 ©Copyright 2008—State Industrial Products Corp.

